

EV Protec FZE
G18, Phase 3, Dubai Industrial City
Dubai, UAE
T. +971 44209669 | +971 551393968
Email. info@evprotec.com



AC Electric Vehicle Charger (TYPE 2)- 22 kW

TYPE 2 Vehicle Charger

MODEL: FWL-T2EVCharger



APPLICATION Indoor/Outdoor

PRODUCT INFORMATION

AC Electric vehicle charger is a Smart EV Charging Station with TYPE 2 Plug Socket

SPECIFICATION TABLE

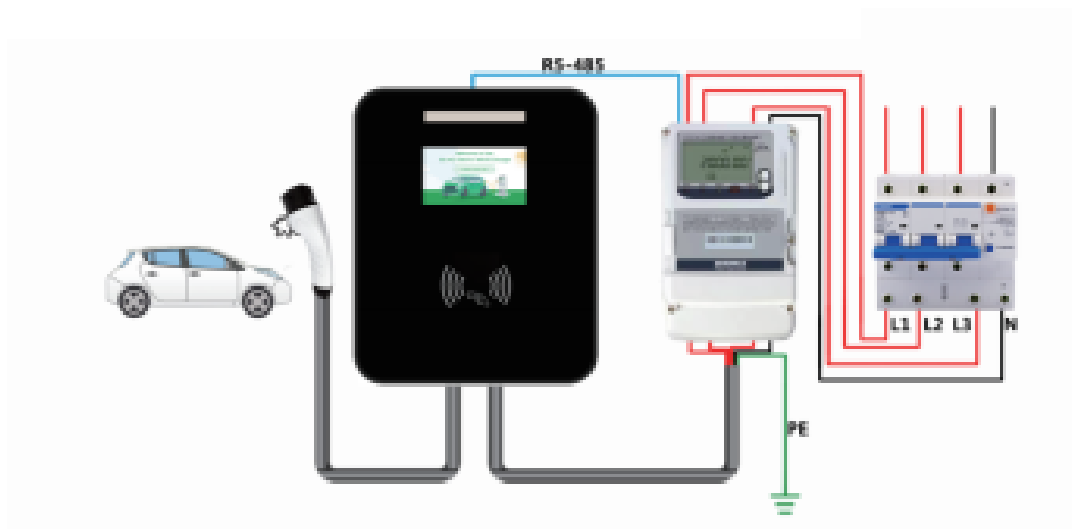
DESCRIPTION	VALUE
POWER	22kW
HUMIDITY	5%-95% No Congeal
ALTITUDE HEIGHT	2000m
NOISE CONTROL	Less Than 30 db
INPUT VOLTAGE	3/N/PE ~ 380V
INPUT FREQUENCY	50Hz
THE MAX POWER	22kW
ELECTRICITY RELAY SPEC	40A 250VAC
MAX RATED OUTPUT	32A
CABLE LENGTH	5M
CHARGING METHOD	RFID Card / Plug and Charge / APP/ Reservation Charging
LOAD BALANCE	CT+Single / Three Phase Meter
OCPP	4G / Ethernet
BRAND	EV PROTEC UK
WARRANTY	02 Years

1. CONNECTION MODE

Normal Connection

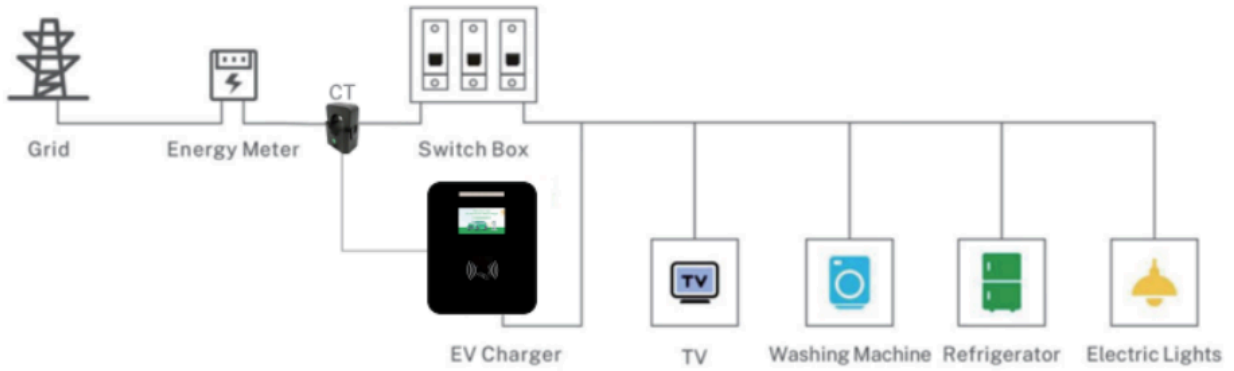


External Metering

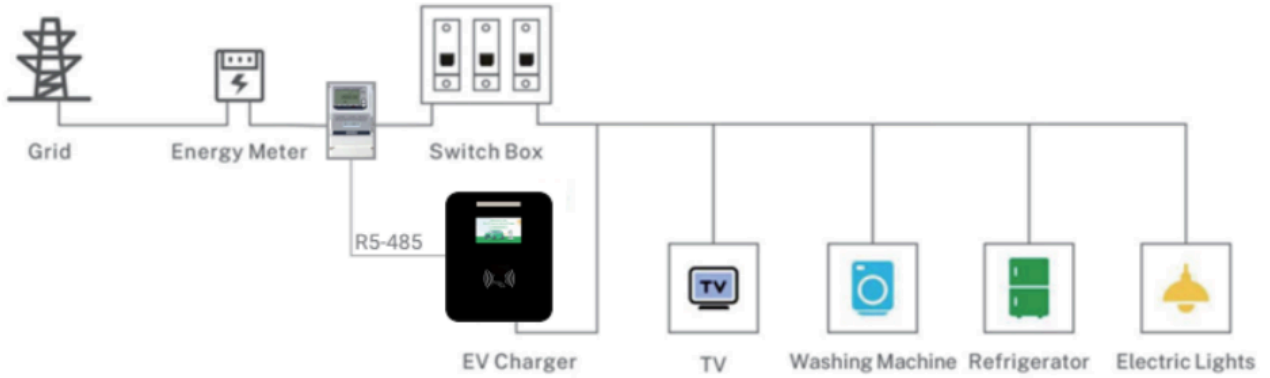


Load Balancing

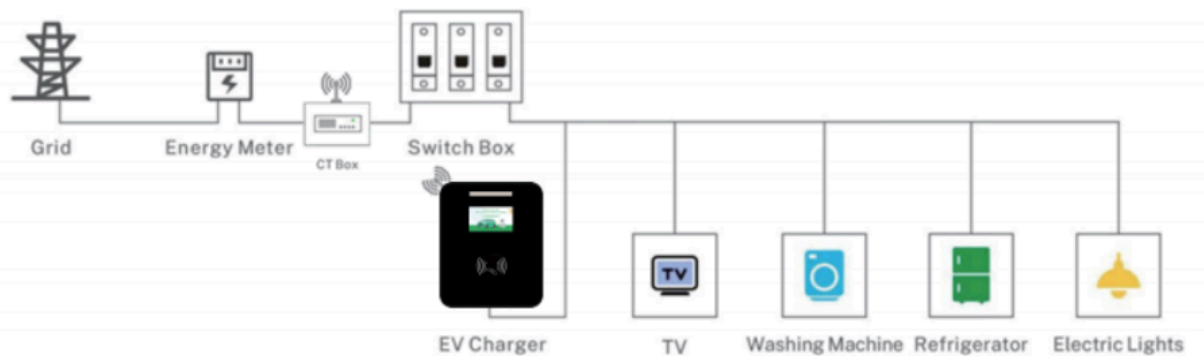
By CT



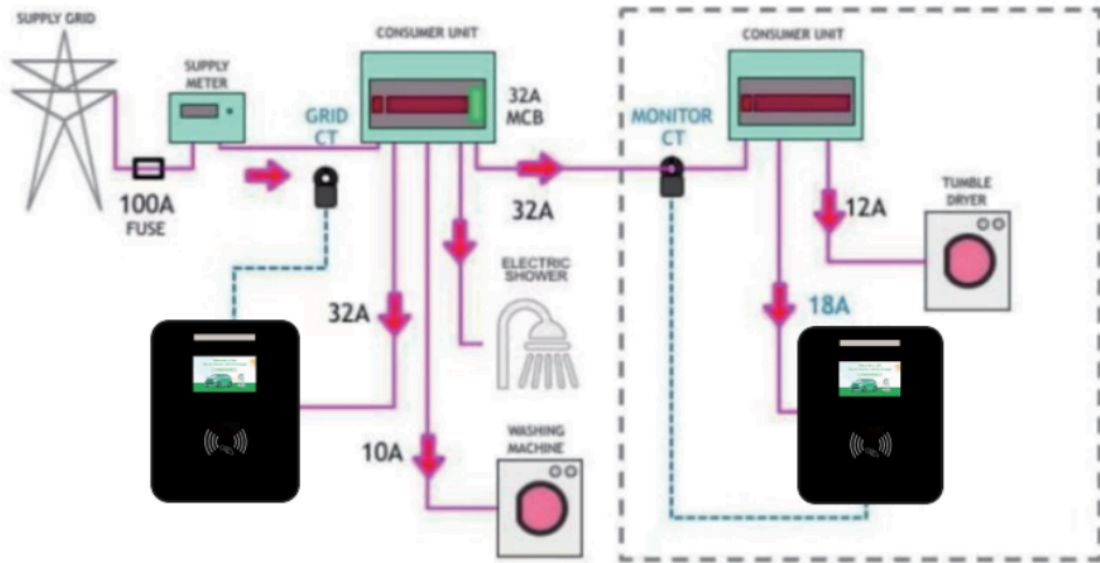
By Electric Meter



By Wireless CT



Dynamic Load Balancing



2. MOBILE PHONE APPLICATION

After the installation is successful, configure the relevant parameters using mobile App

